

EVOS

NORDDRIVE

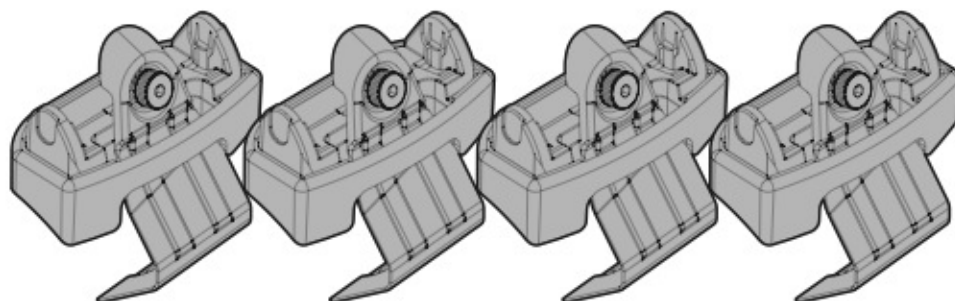
TRANSPORT SOLUTIONS

PEUGEOT 3008
(no profilo)

10/16

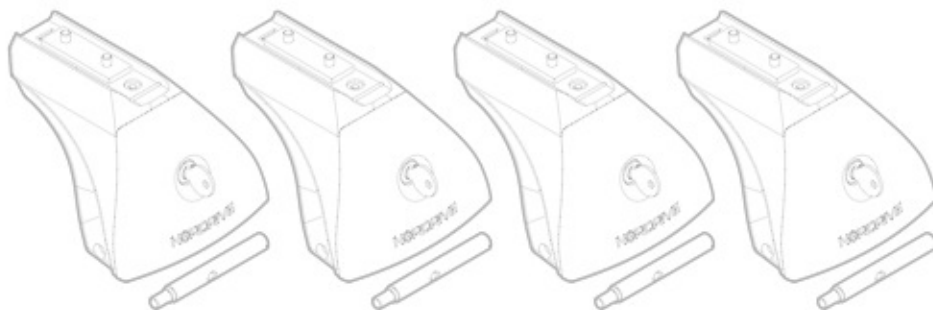


Art. N21204



+

Art. N20001



B

+

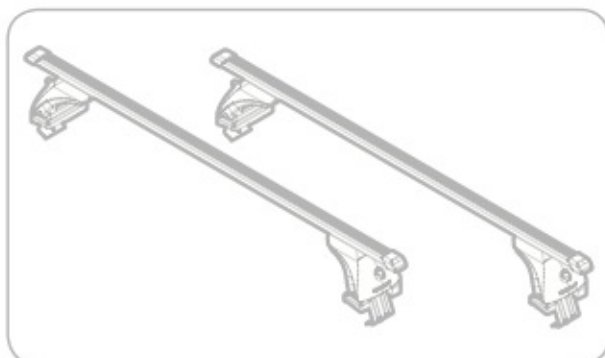
Art. N15021 **L**



A

QUADRA
ACCIAIO
Steel

=



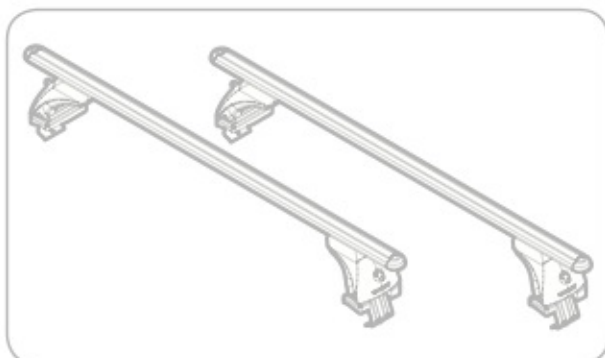
Art. N15026 **L**



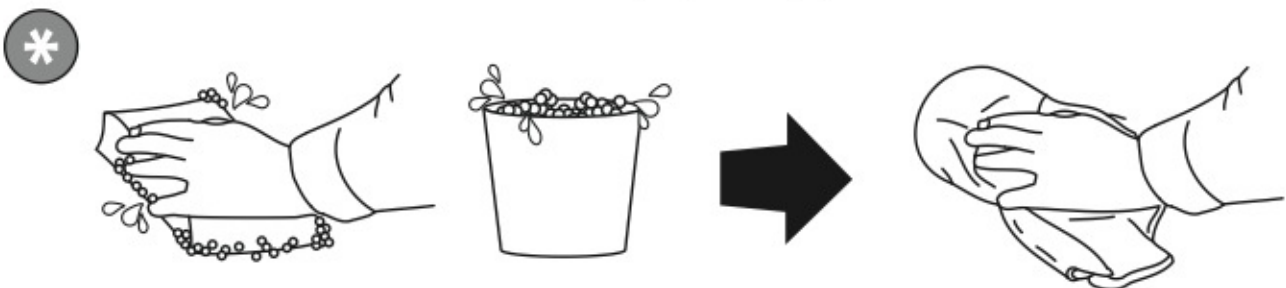
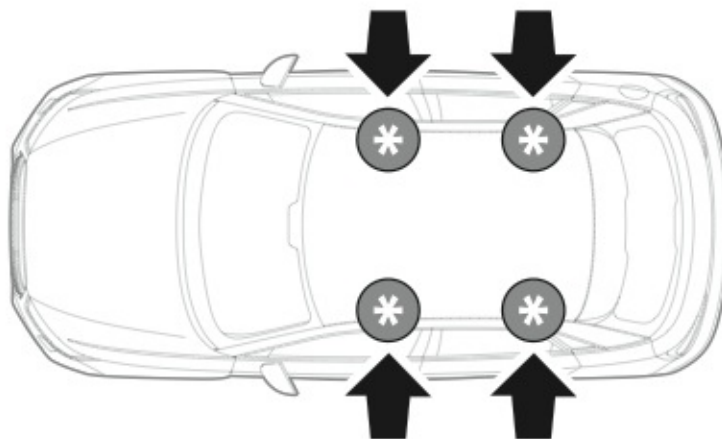
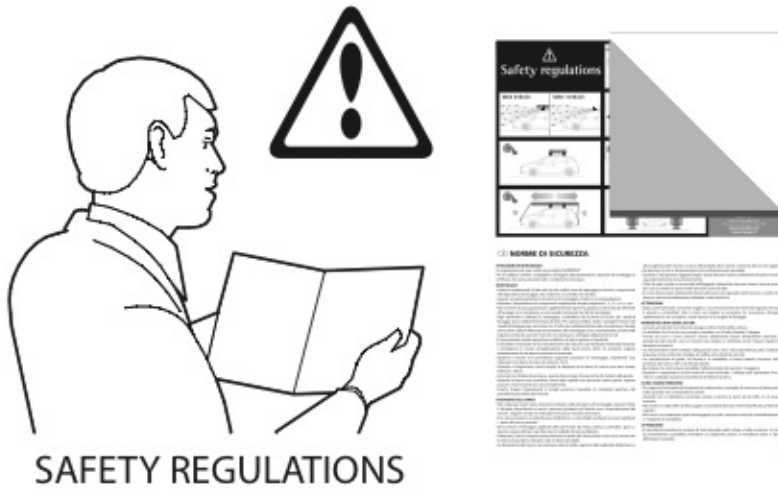
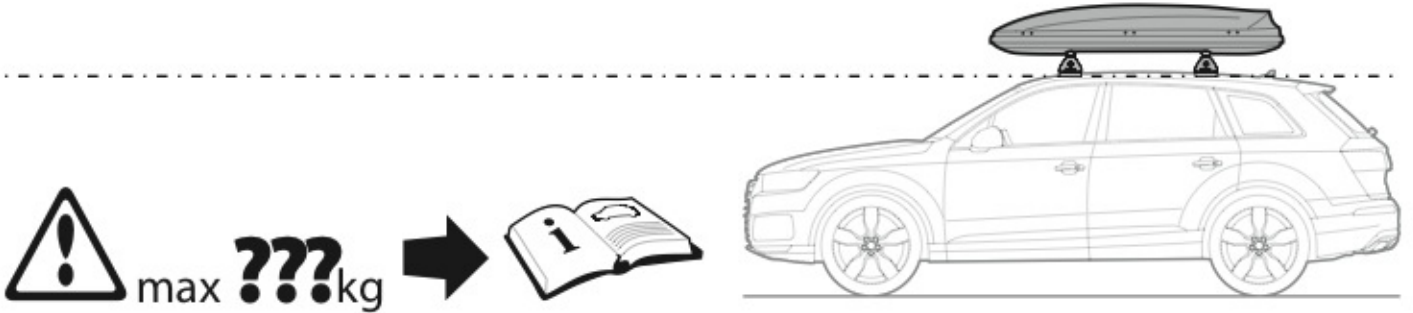
A

ALUMIA
ALLUMINIO
Aluminium

=

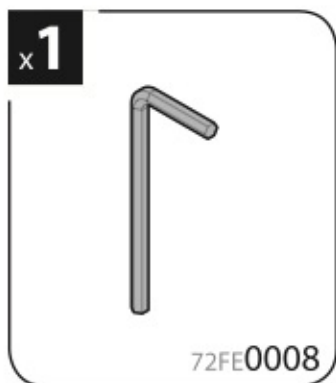
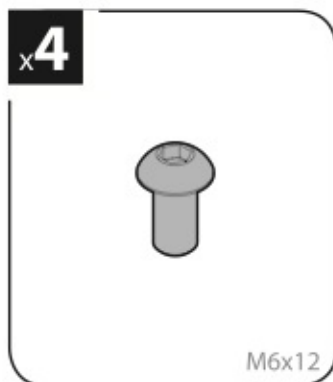
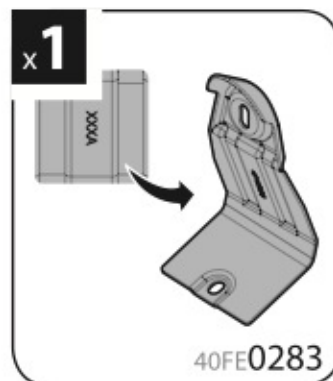
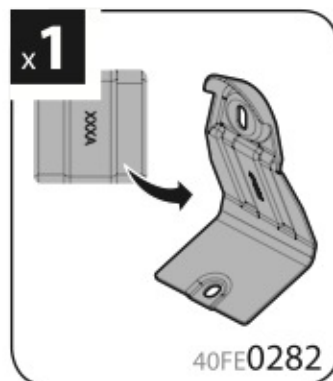
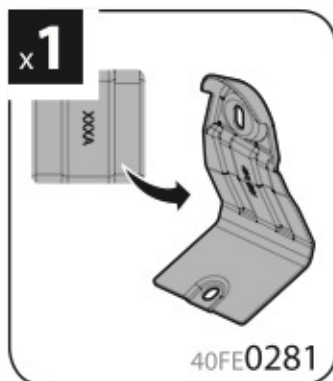
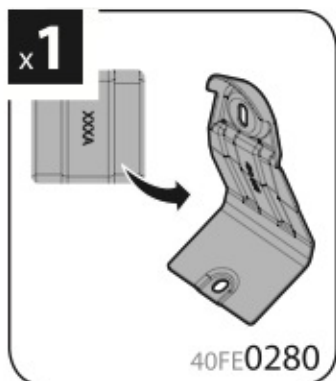
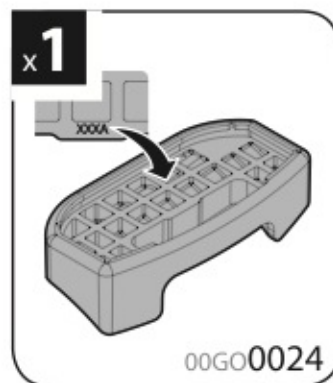
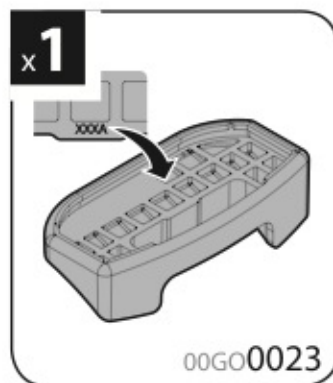
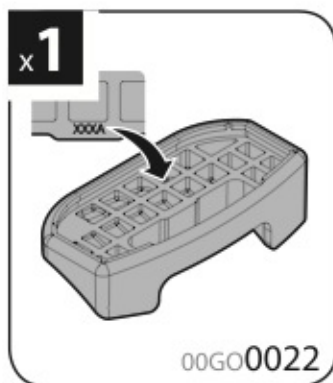
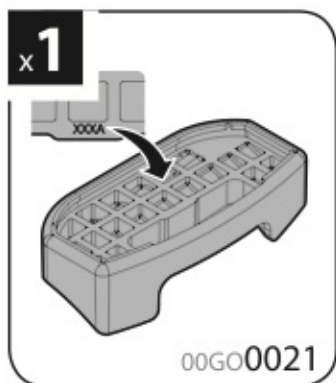


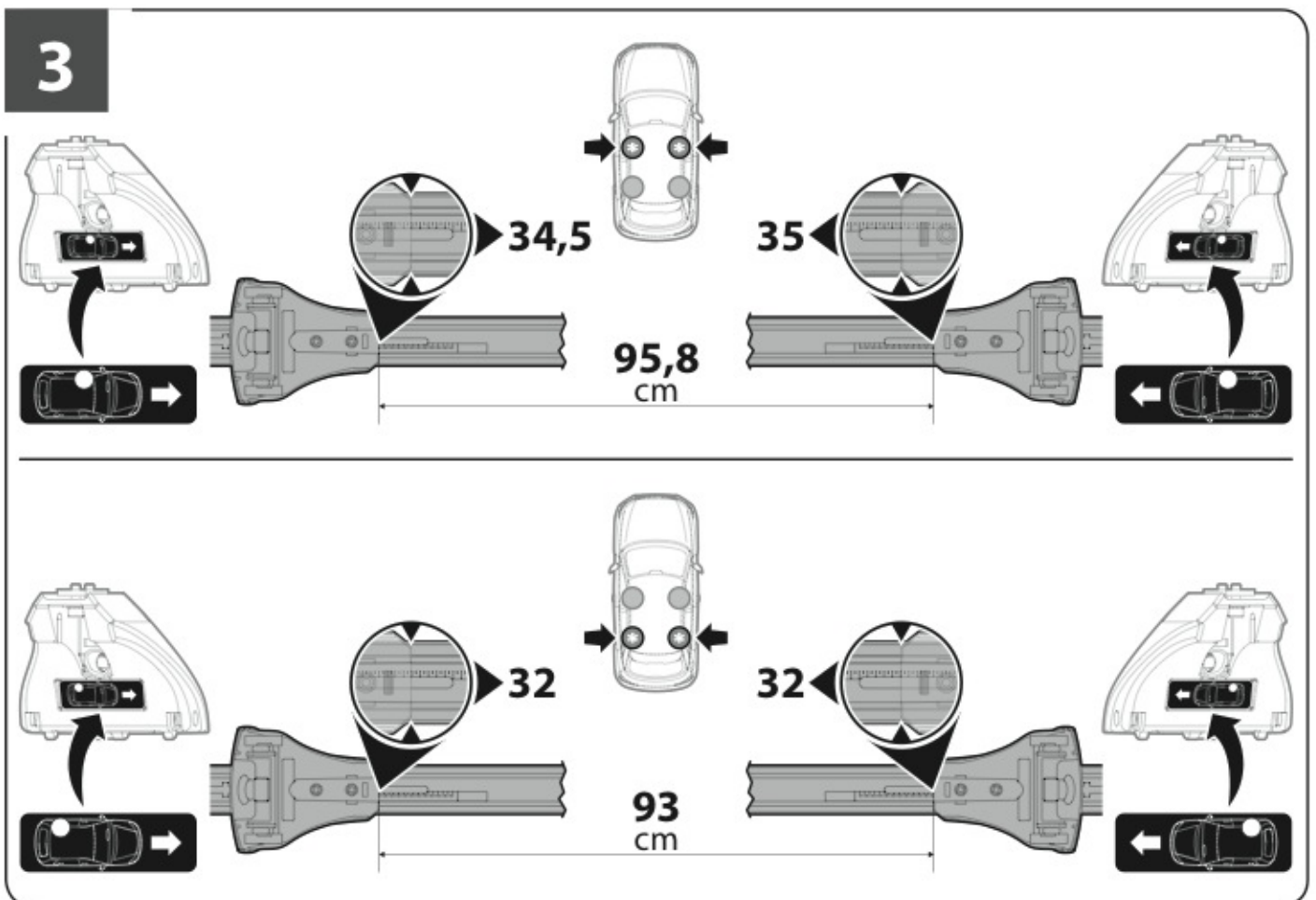
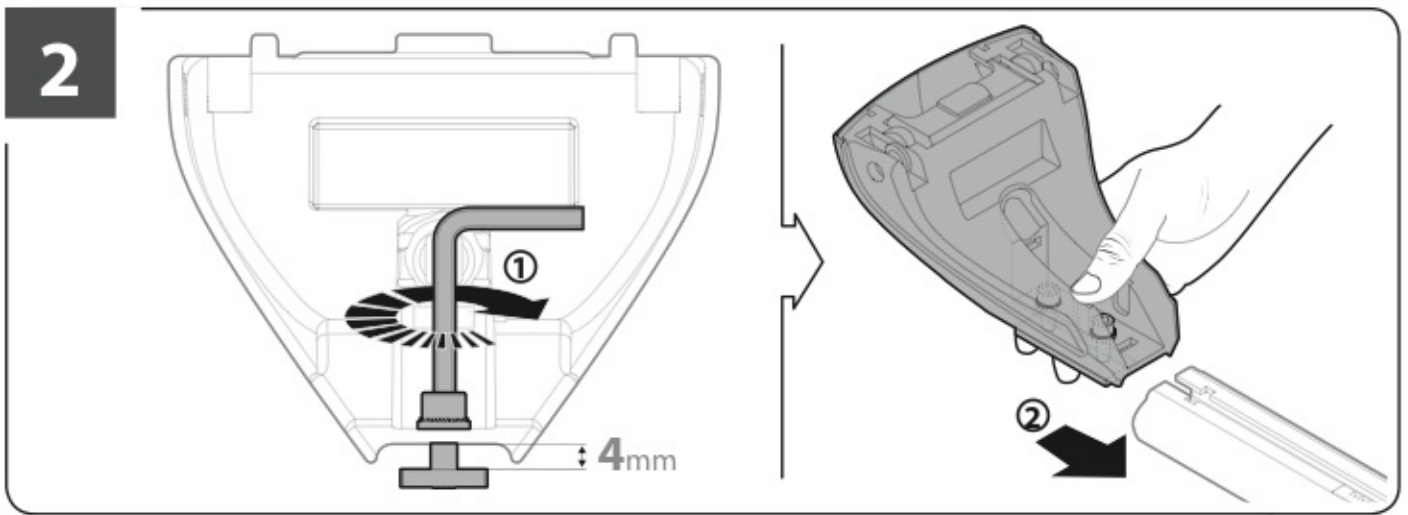
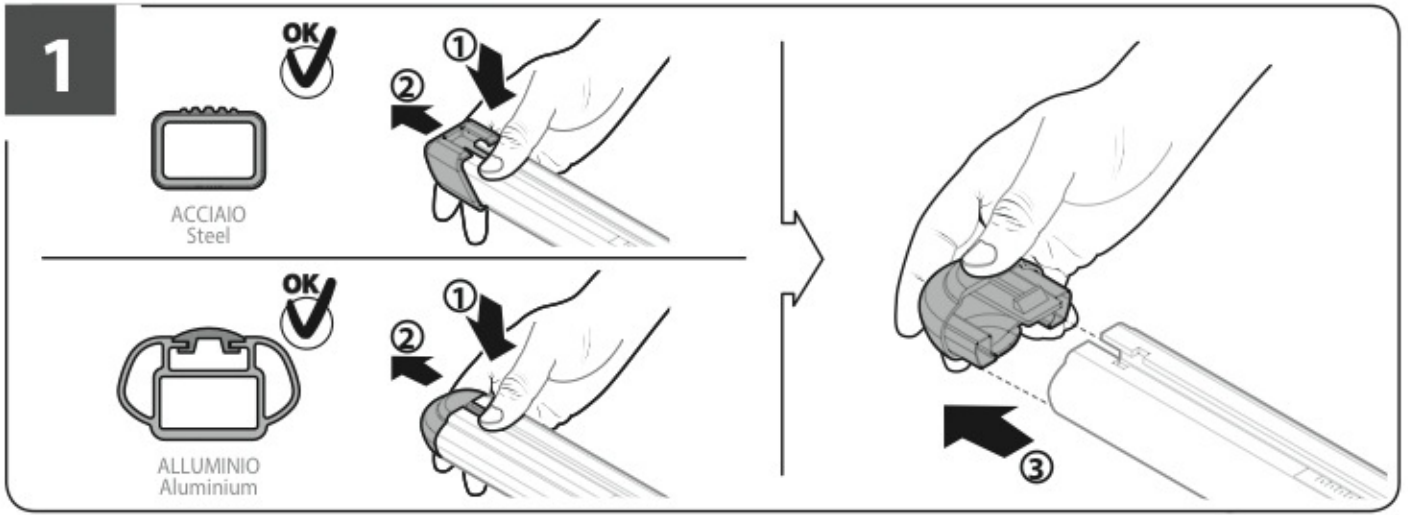
+
 +
 = max kg. **75**



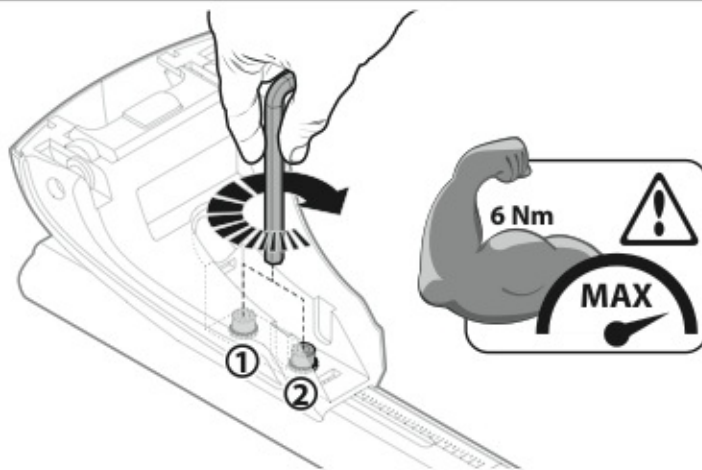


Art. **N21204**

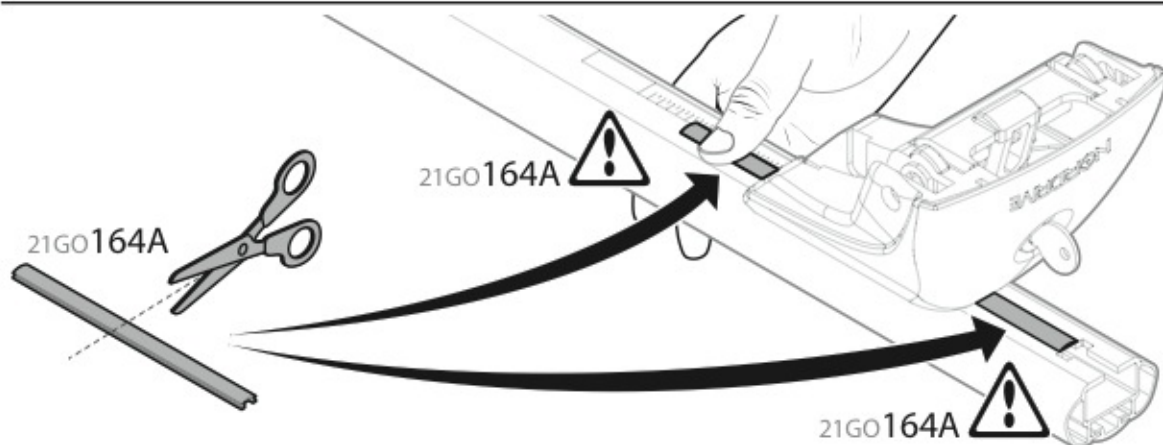




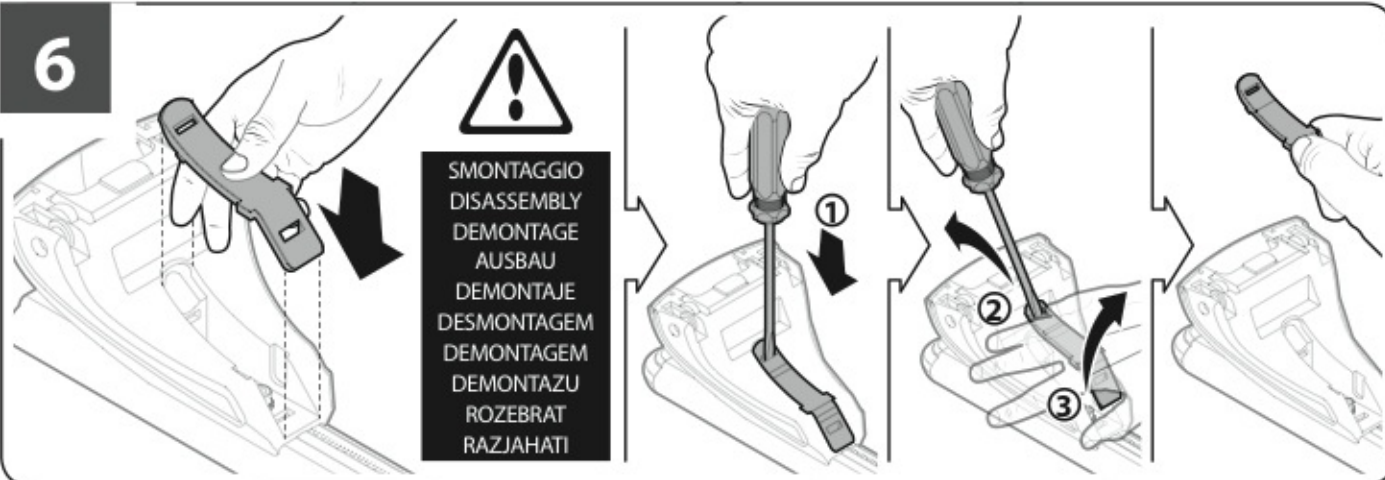
4



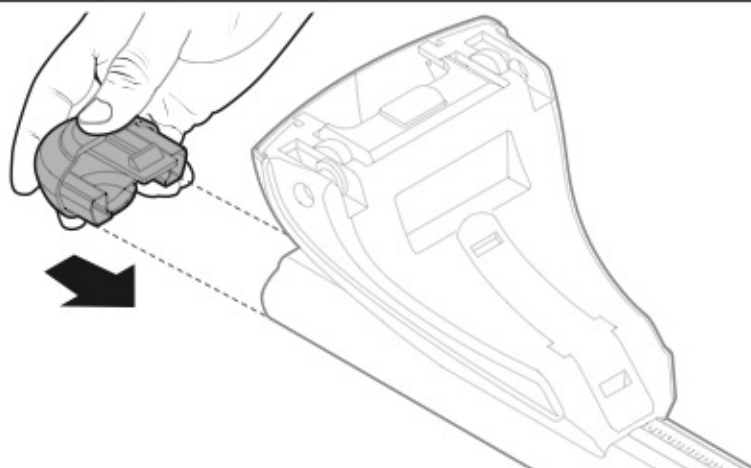
5



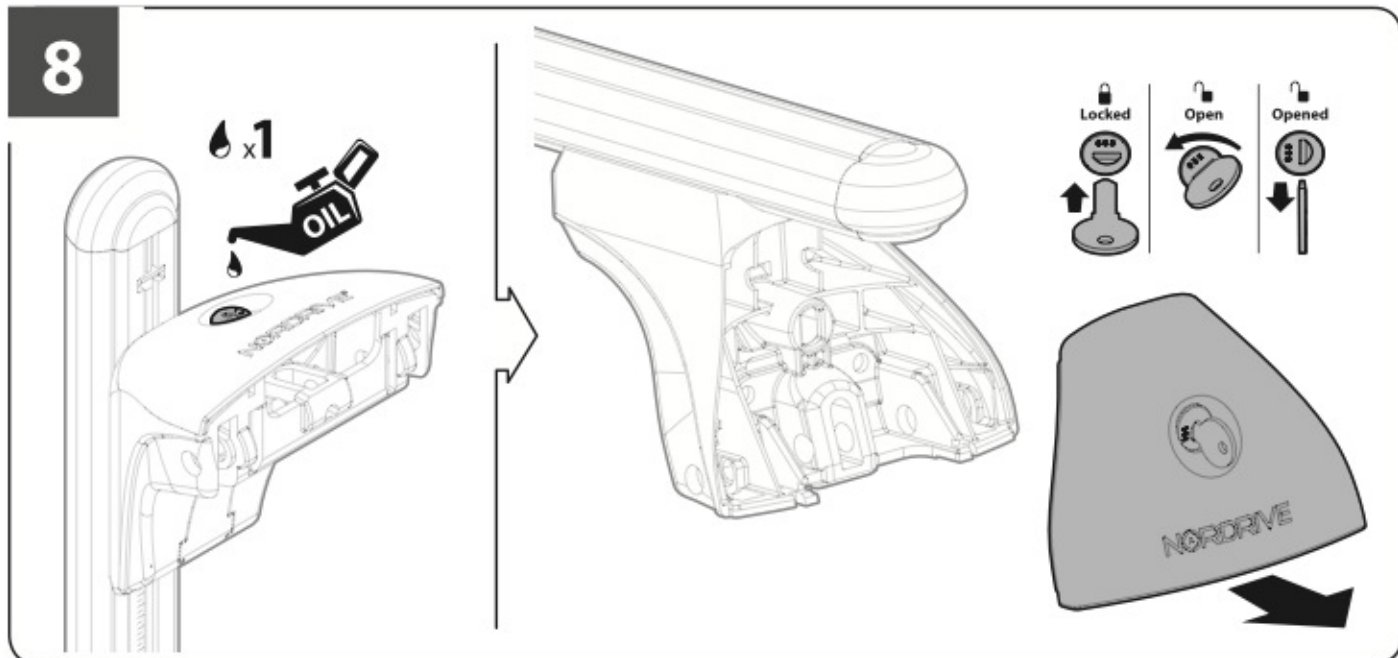
6



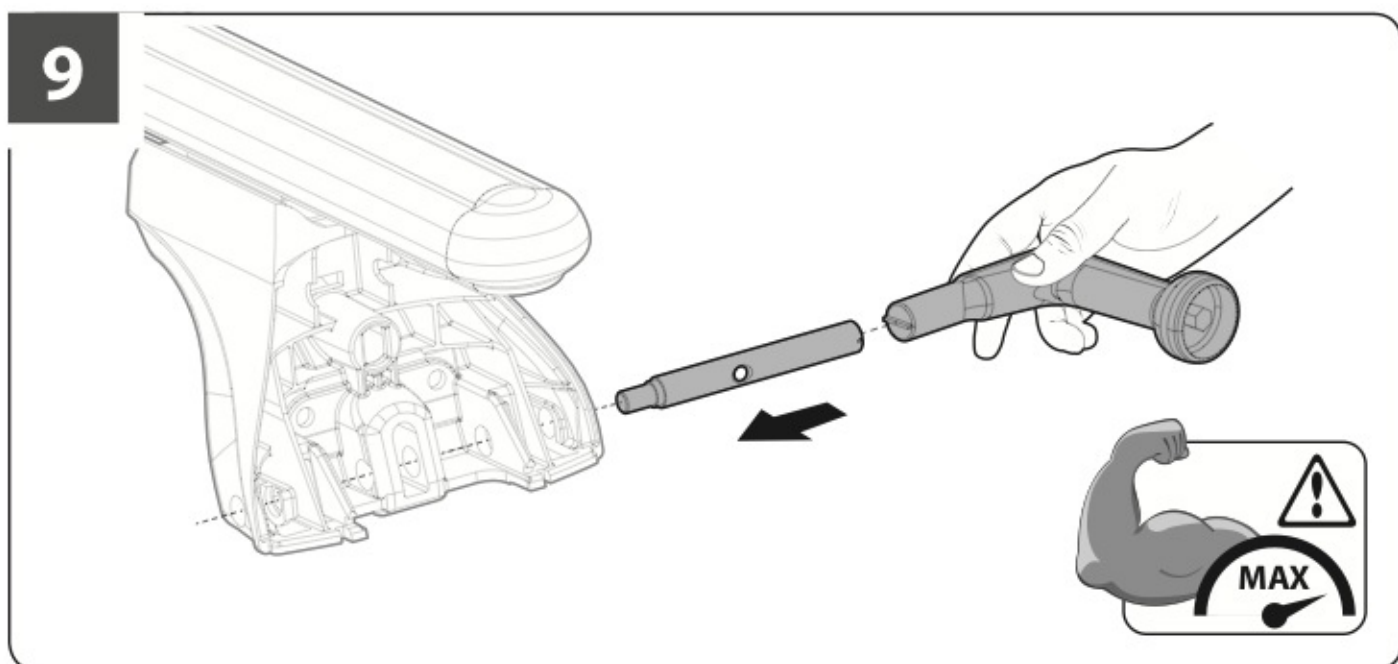
7



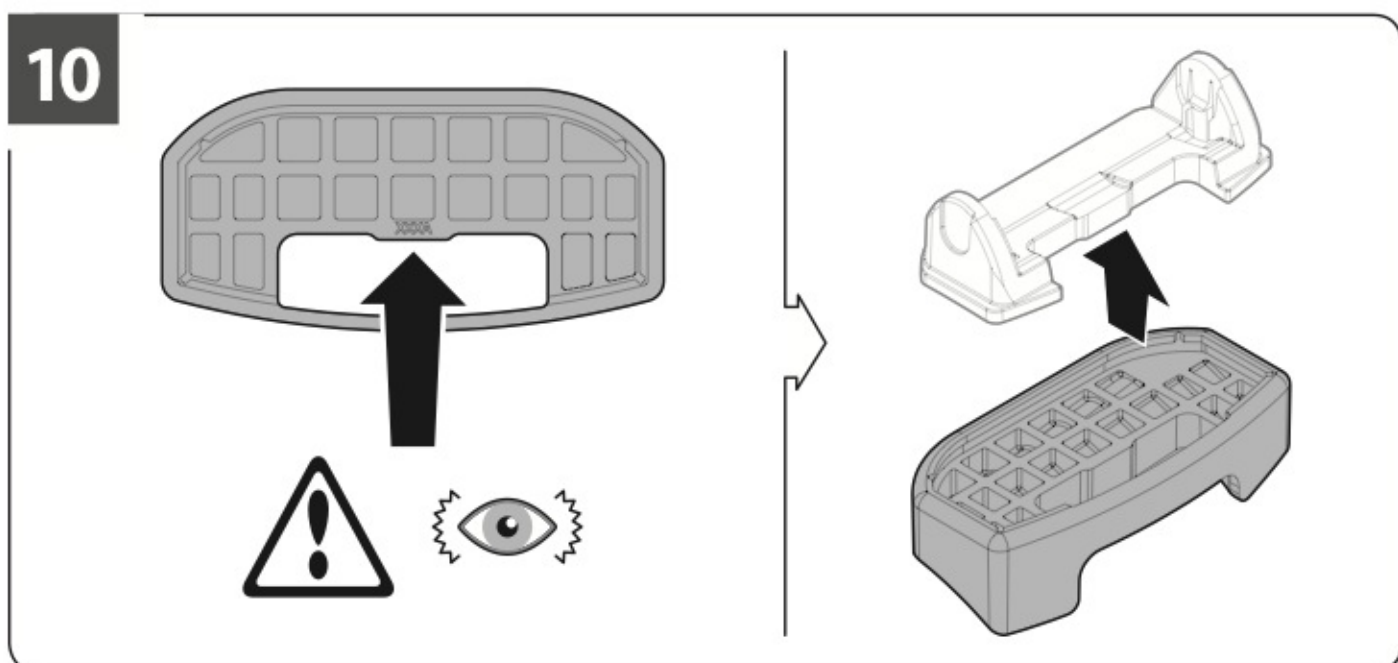
8



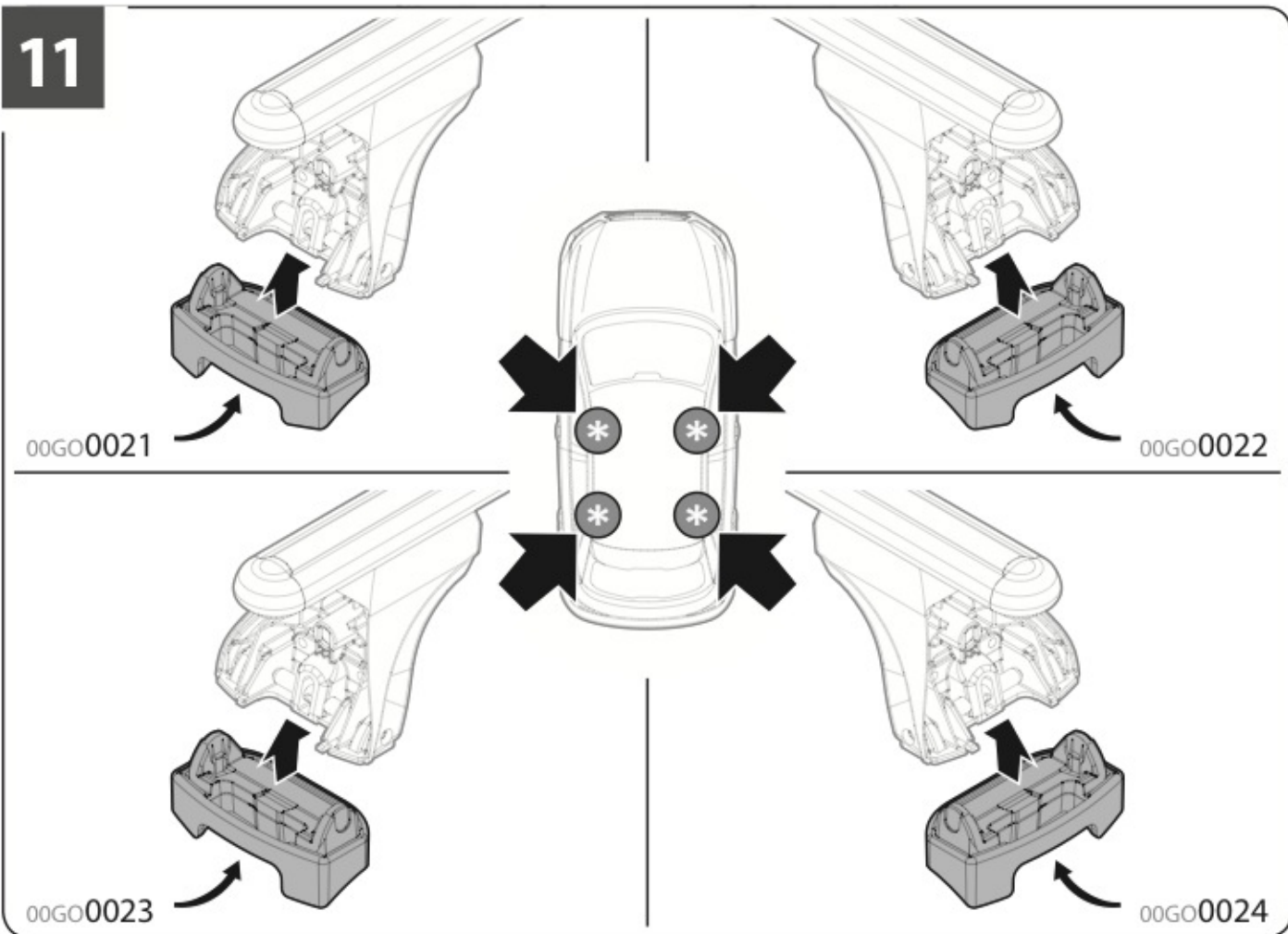
9



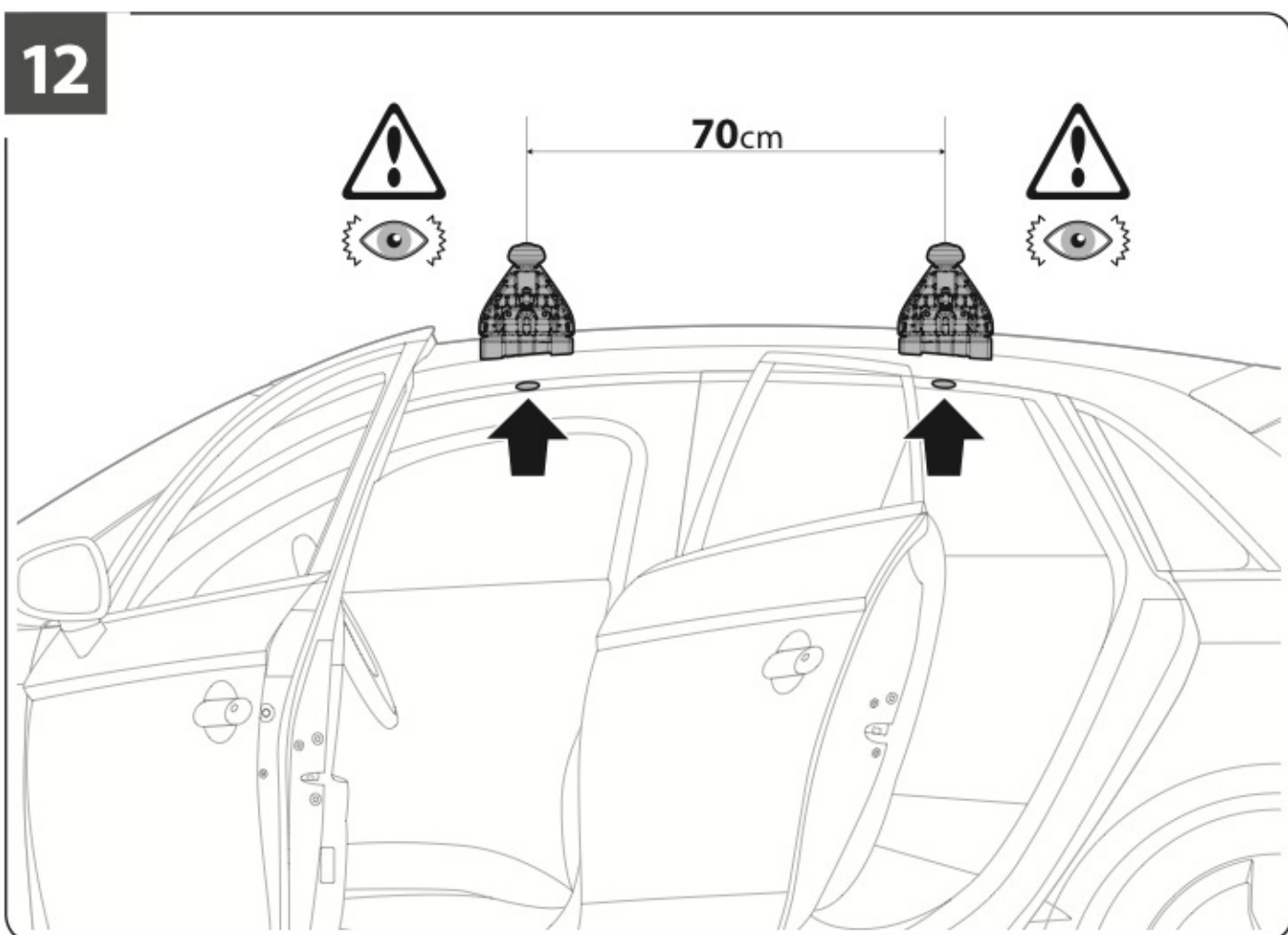
10



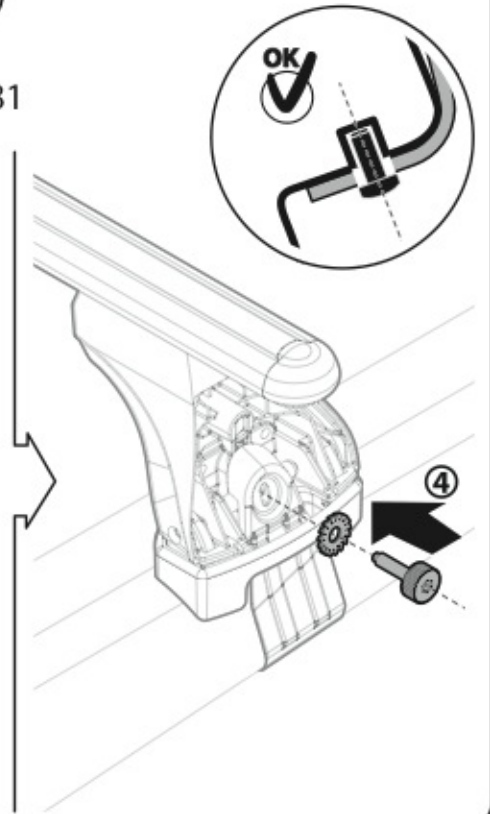
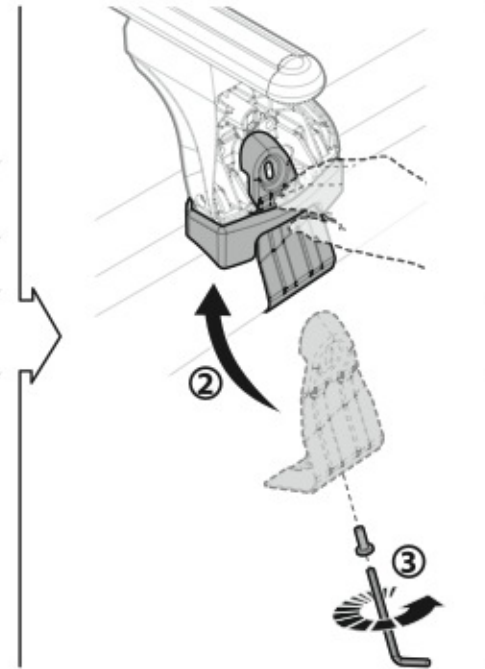
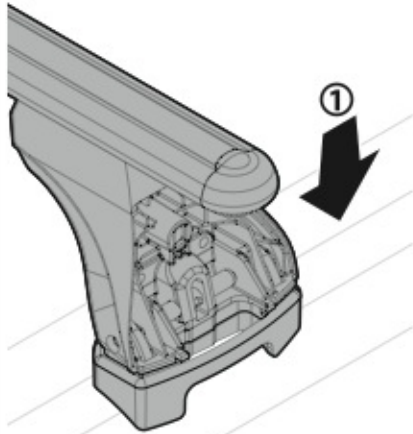
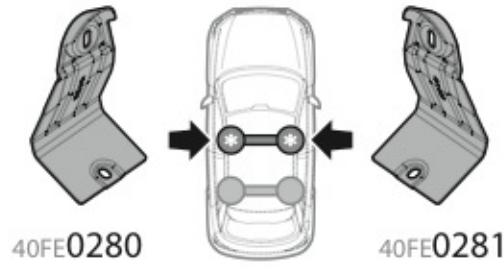
11



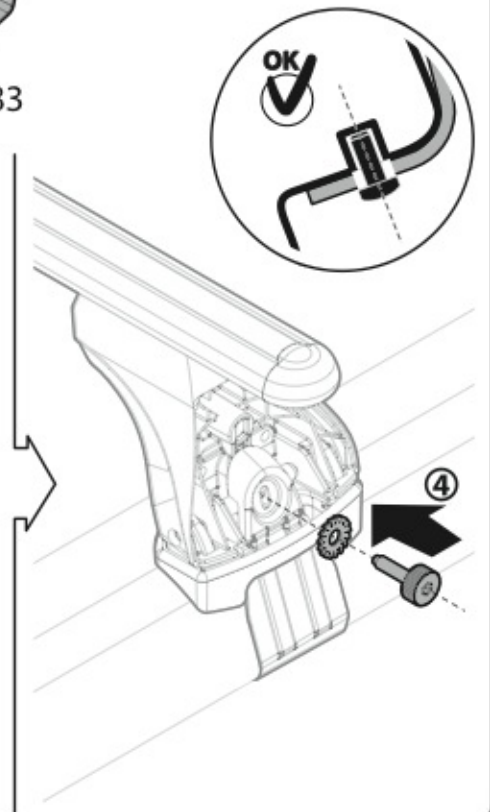
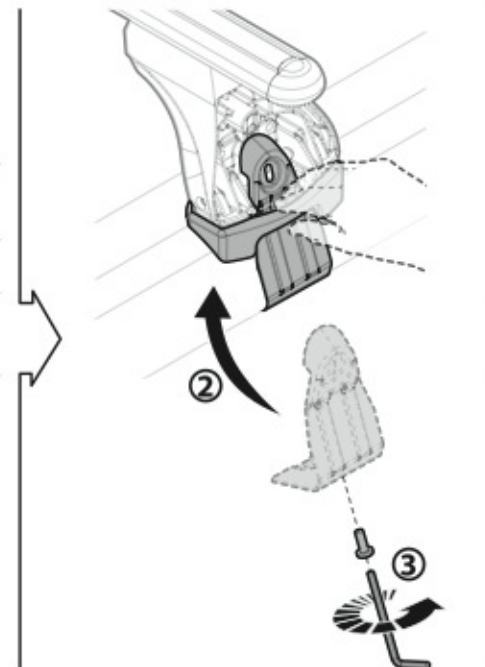
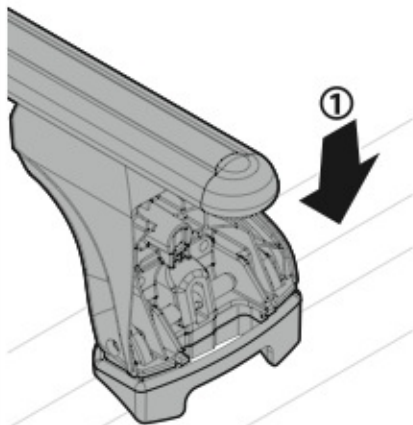
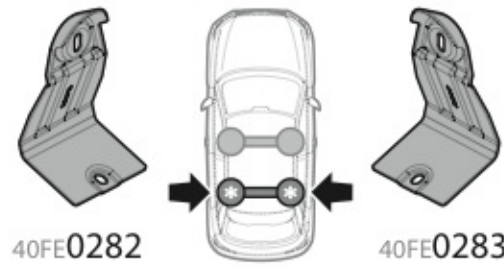
12



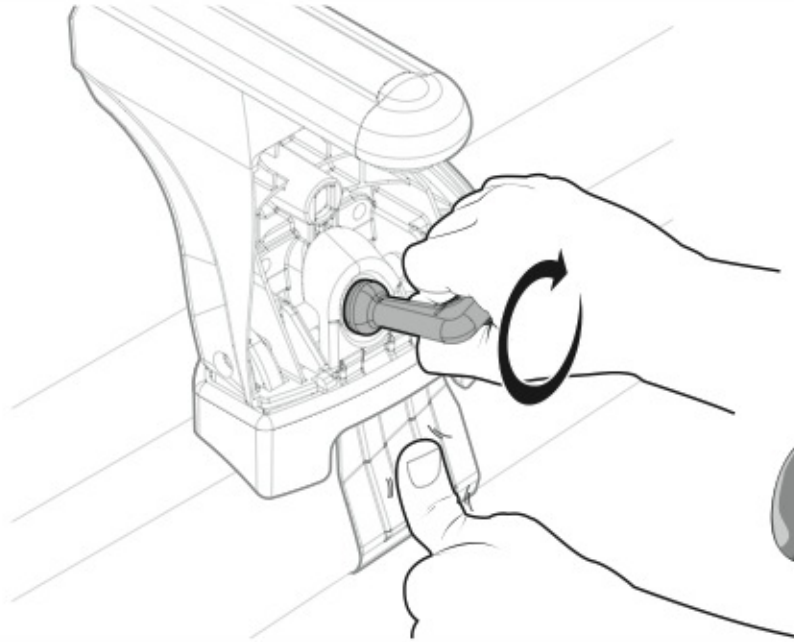
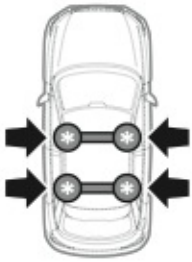
13



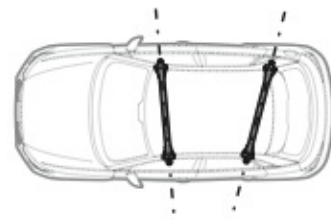
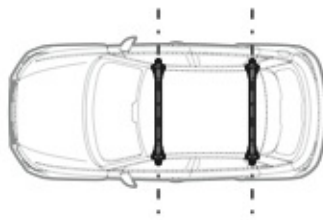
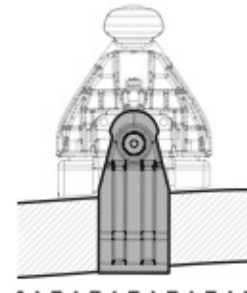
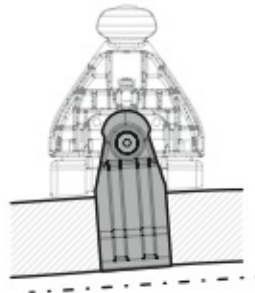
14



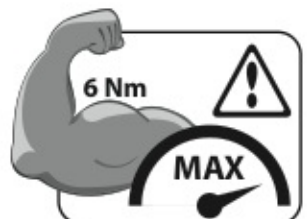
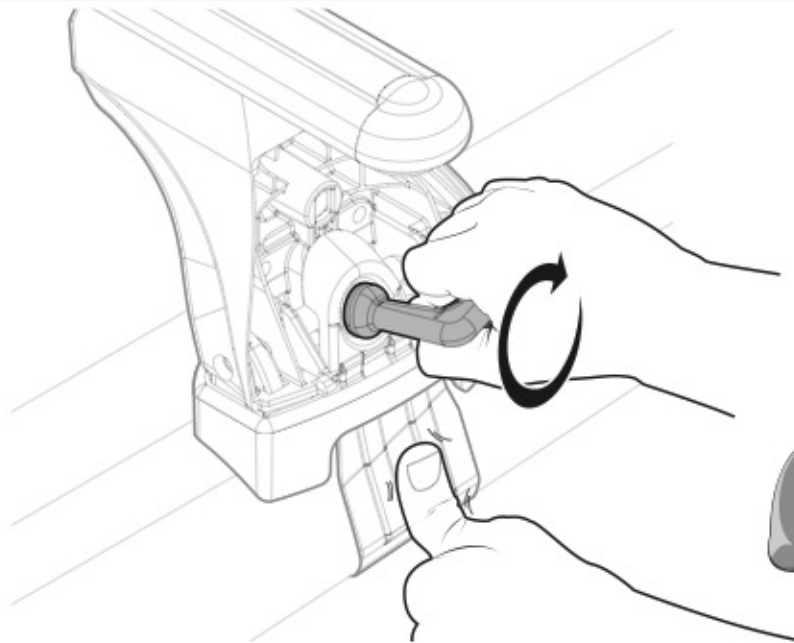
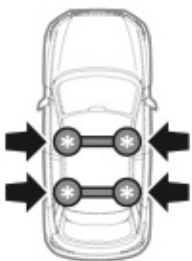
15



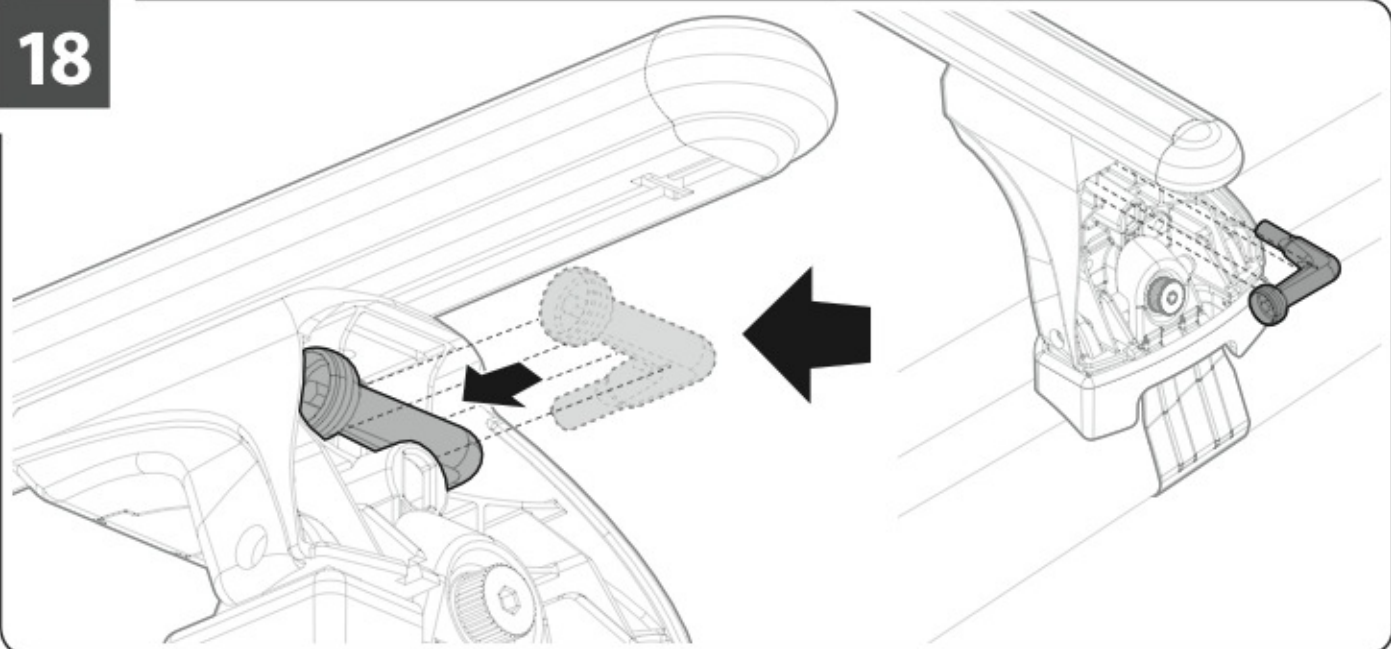
16



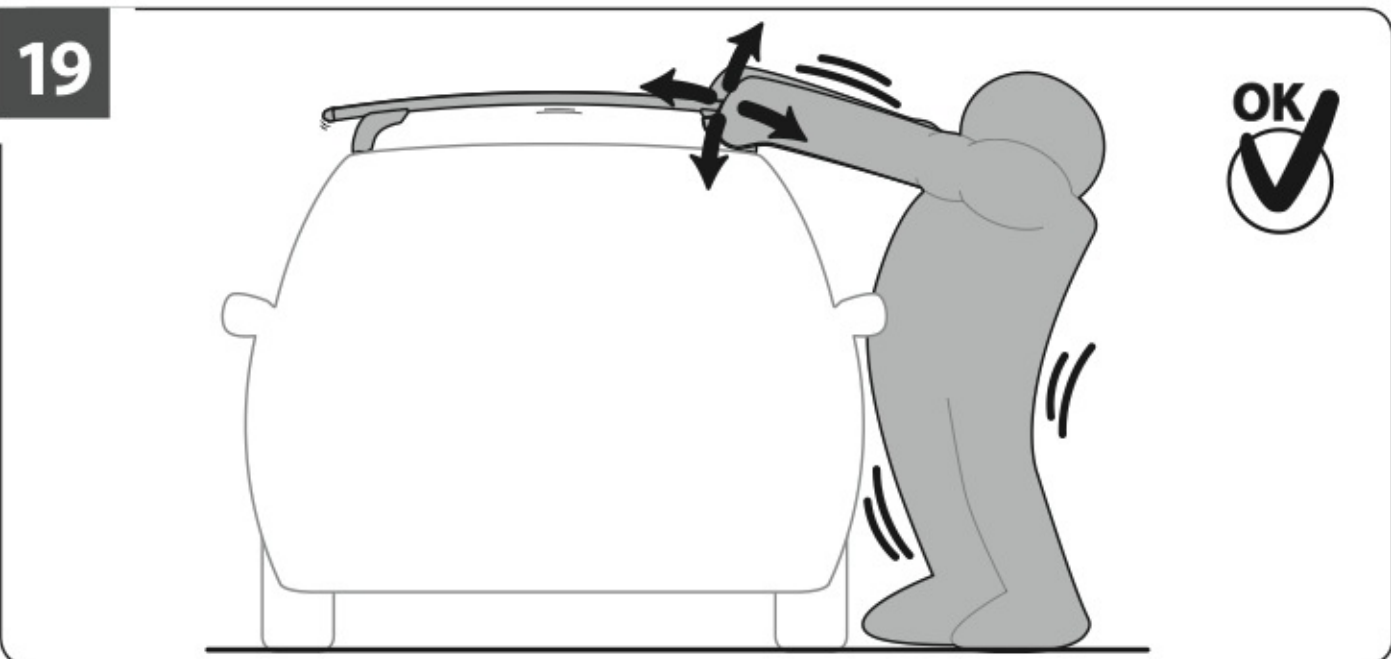
17



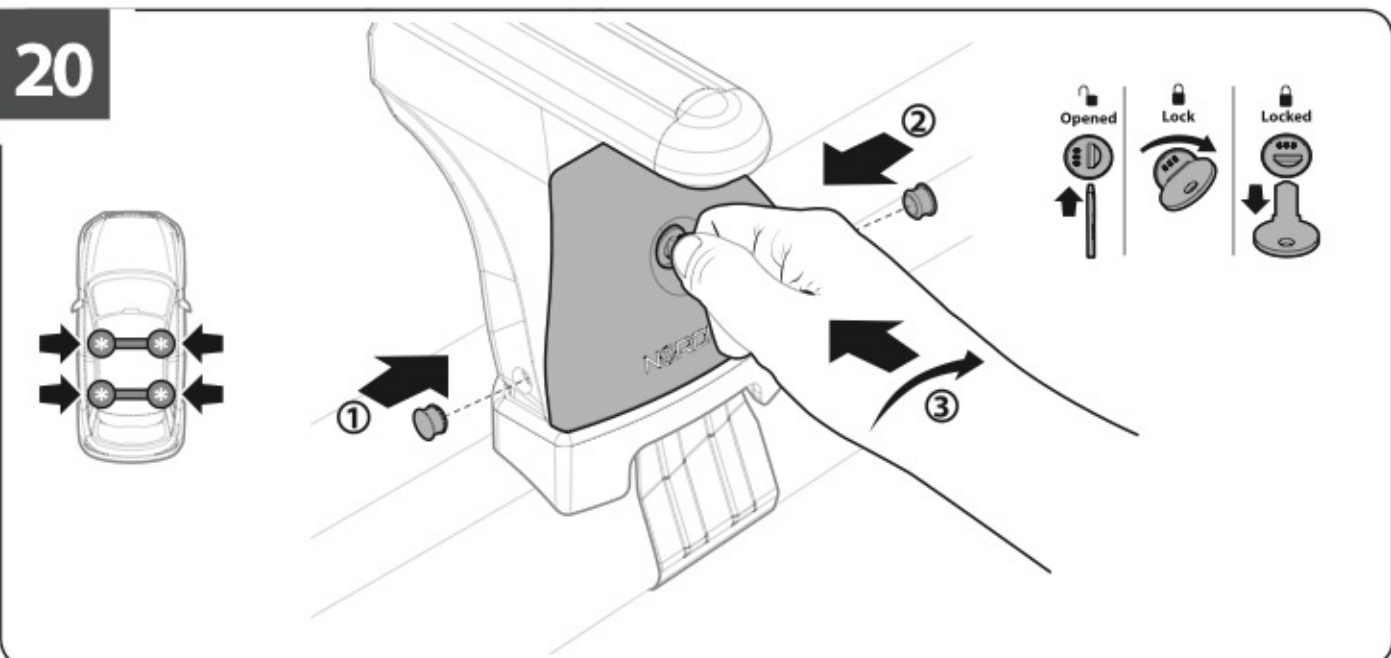
18



19



20



EVOS

NORDRIVE[®]
TRANSPORT SOLUTIONS

is a registered trade mark of

LAMPA S.p.A.

Via G. Rossa 53/55, 46019 Viadana (MN) ITALY

Tel. +39 0375 820700

UNI EN ISO 9001:2008 Certified Company

www.nordrive.it

www.lampa.it